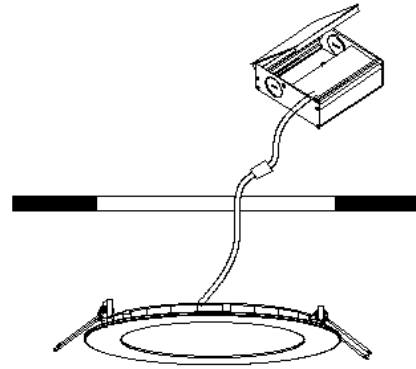
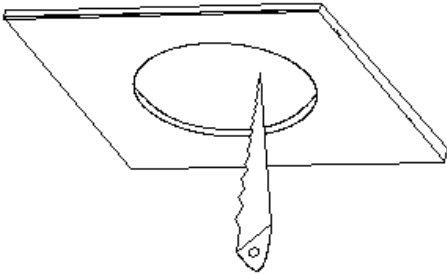
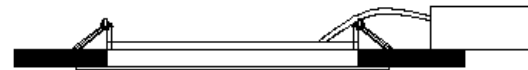
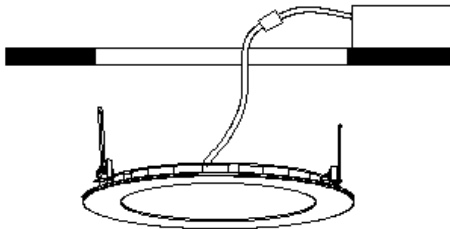


## INSTALLATION PAPER



1. According to the cut size to cut the ceiling hole

2. Cut off power, the driver wire connected with ceiling wire.



3. Insert panel light into the ceiling hole.

4. Install finishing.

\* **CAUTION:** Please note, this fixture must be wired in accordance with Local electrical codes and ordinances. All work MUST be done By a certified electrician.

\* **WARNING:** Risk of electric shock, do not use where directly exposed to water and make sure power is OFF from electrical

**TEMPLATE**

8-1/5" (208 mm)



**CUT-OUT OPTION**